

XVGB4

Complete pre wired monolithic tower light,
Harmony XVG, RAGB, 24 V, LED, Tube mounting
with "L" bracket



Main

Range of product	Harmony XVG
Product or component type	Complete pre-wired monolithic tower light
Beacon or indicator bank unit type	4 illuminated units
Material	PC (UL94 V-2): globe ABS (UL94HB): tube body Aluminium: tube
Mounting diameter	60 mm
Component name	XVG
Device mounting	Tube with L bracket
Light source	LED steady red LED steady green LED steady amber LED steady blue
Light block color	Red/orange/green/blue
Indicator bank base type	Base without buzzer

Complementary

Rated supply voltage	24 V AC/DC
Cable cross section	0.33 mm ²
Discrete output type	PNP and NPN
[Uimp] rated impulse withstand voltage	0.5 kV
Current consumption	135 mA
Power consumption in W	3.3 W
Fundamental frequency	2.64 kHz
Net weight	0.5 kg

Disclaimer: This documentation is not intended as a substitute for and is not to be used for determining suitability or reliability of these products for specific user applications.

Environment

Product certifications	CE EAC
Ambient air temperature for storage	-35...70 °C
Ambient air temperature for operation	-10...50 °C
IP degree of protection	IP23

Packing Units

Unit Type of Package 1	PCE
Number of Units in Package 1	1
Package 1 Weight	594 g
Package 1 Height	15.8 cm
Package 1 width	13 cm
Package 1 Length	8.5 cm

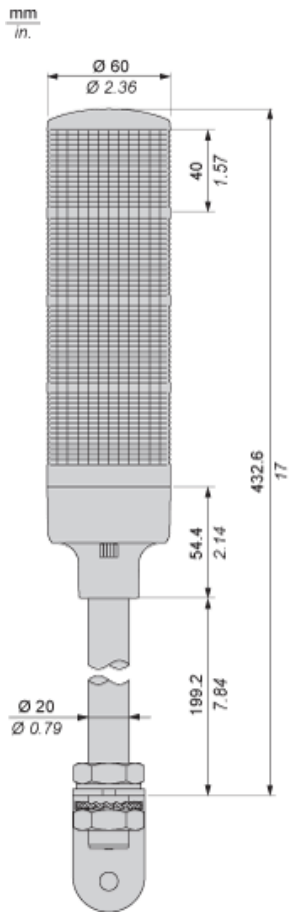
Offer Sustainability

Sustainable offer status	Green Premium product
REACH Regulation	REACH Declaration
REACH free of SVHC	Yes
EU RoHS Directive	Pro-active compliance (Product out of EU RoHS legal scope) EU RoHS Declaration
Mercury free	Yes
RoHS exemption information	Yes
China RoHS Regulation	China RoHS declaration
Environmental Disclosure	Product Environmental Profile
Circularity Profile	End of Life Information

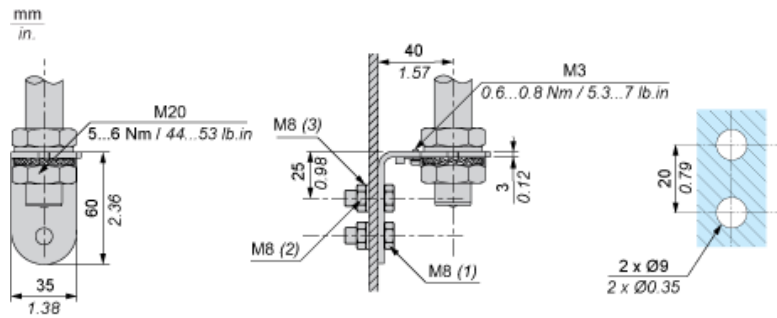
Contractual warranty

Warranty	18 months
----------	-----------

Dimensions

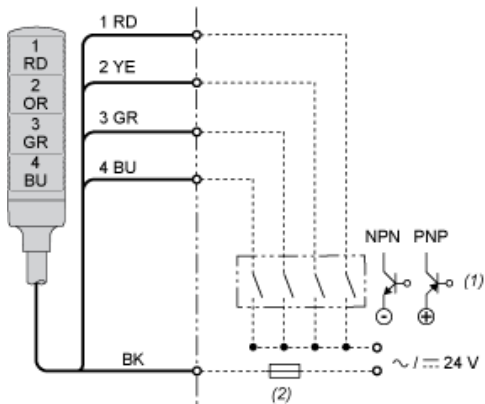


Mounting



- (1) Thickness +10 mm/0.39 in
- (2) Hexagon Nut
- (3) Washer

Wiring



(1) "ON" for lighting and/or applying continuous sound.

(2) Fuse (rated current: 0.5 A)

- RD : Red
- YE : Yellow
- GR : Green
- BU : Blue
- OR : Orange
- BK : Black